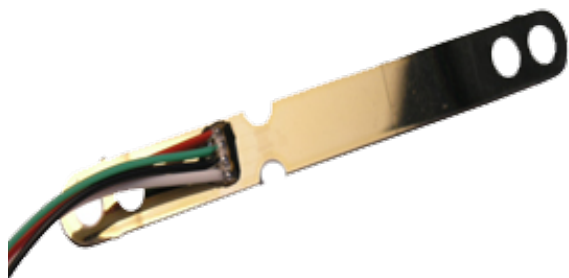


# S100 (0.2N & 0.4N) Thin Film Load Cell



The **S100 Thin-Film Load Cell** (0.2 & 0.4 N) uses proprietary strain gauge technology to create a rugged sensor with exceptional long term stability. These highly sophisticated thin film force sensors are manufactured in high quantities using state-of-the-art equipment. With it's simple beam mounting configuration, the compact sensor can be used to electronically measure force or displacement in a wide variety of applications. Custom characteristics can be provided for high volume OEM users.

## Product Specifications:

<b>Hysteresis:</b>	0.03% R.O.
<b>Nonrepeatability:</b>	0.05% R.O.
<b>Nonlinearity:</b>	0.15% R.O.
<b>Creep:</b>	0.05 R.O. (30 mins)
<b>Static Overload:</b>	Safe: 200% R.C.   Max: 500% R.C.
<b>Temperature Range:</b>	-10° to 70° C
<b>Temp. Effect on Zero Balance:</b>	0.03% R.O. / °C
<b>Temp. Effect on Output:</b>	0.03% Reading / °C
<b>Rated Output:</b>	1 mV/V Nominal
<b>Zero Balance:</b>	1 mV/V
<b>Terminal Resistance:</b>	2500 Ω (Input & Output)
<b>Insulation Resistance:</b>	1000 MΩ @ 50 Vdc
<b>Excitation:</b>	Safe: 10 V ac or dc   Max: 15 V ac or dc

## Features:

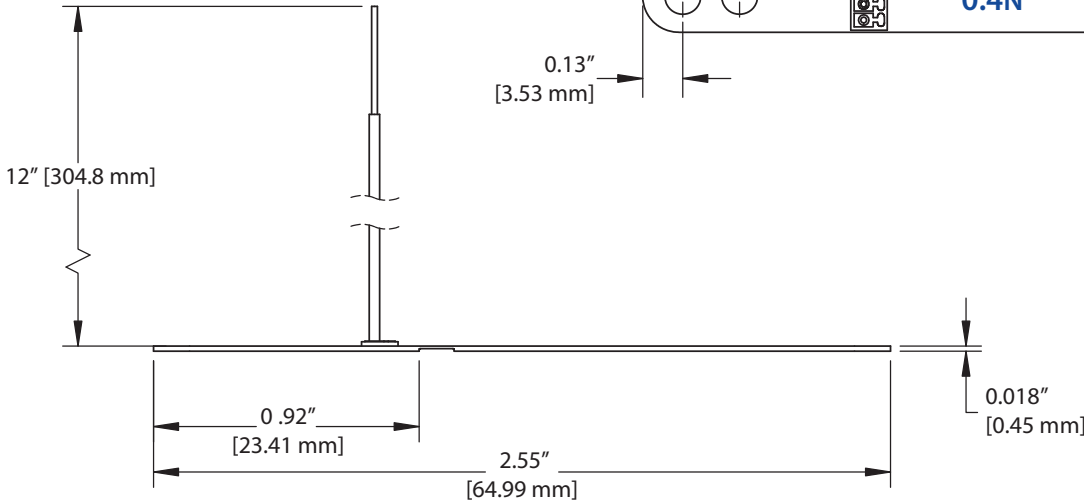
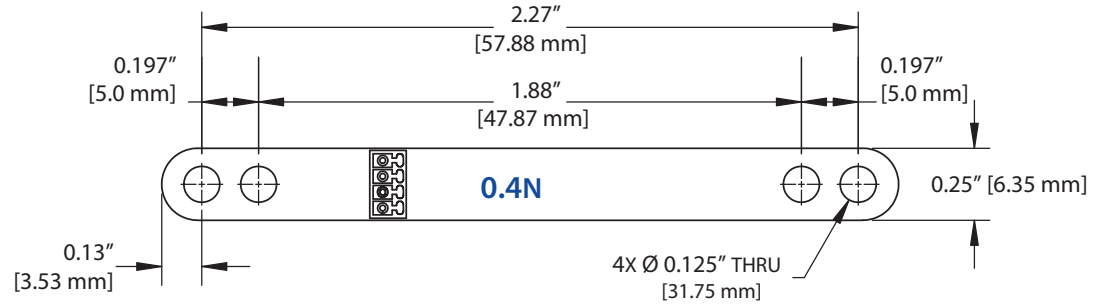
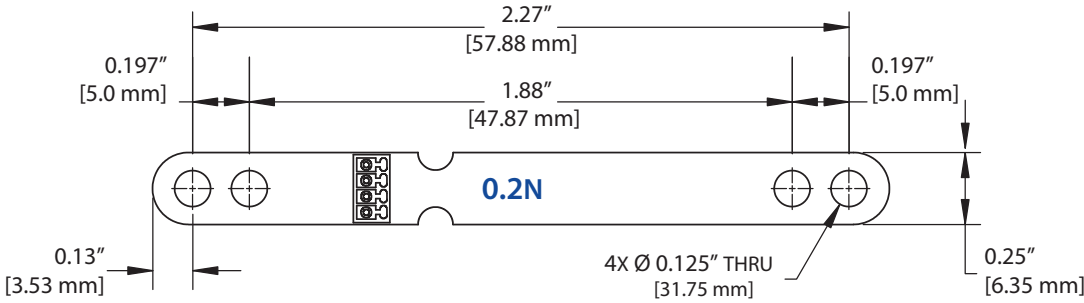
- Compact, Low Profile Design
- High Long Term Zero Point Stability
- Ideally Suited for OEM Applications
- Low Power Consumption
- Low Hysteresis

## Applications:

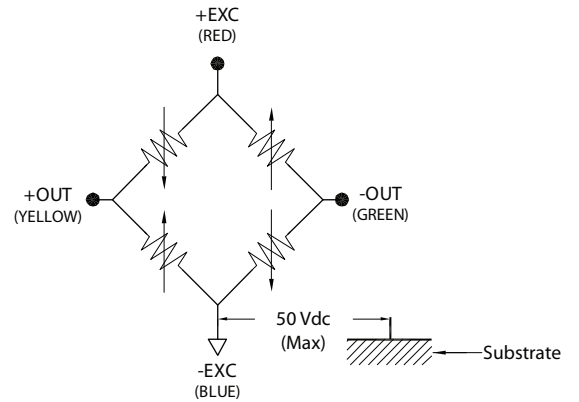
- Medical Instrumentation
- Force Displacement
- Acceleration Measurement
- Battery Powered Equipment
- Food Dispensing Equipment
- Robotics



# STRAIN MEASUREMENT DEVICES



Part Name	Description
SMD100-0002	0.2 N, Stainless Steel, Deflection: 0.088"
SMD100-0004	0.4 N, Stainless Steel, Delection: 0.115"



USA  
Strain Measurement Devices  
55 Barnes Park North, Wallingford, CT 06492  
[sales@smdsensors.com](mailto:sales@smdsensors.com) | (203) 294-5800

Europe  
Strain Measurement Devices  
Bury Road, Chedburgh, Bury St Edmunds IP29 4UQ  
[sales@smdsensors.co.uk](mailto:sales@smdsensors.co.uk) | +44 (0)1284 852 000