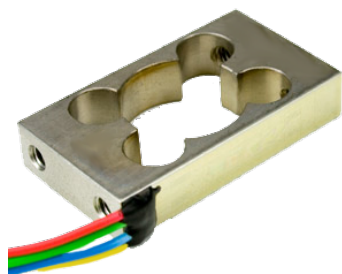


S251 & S252 Miniature Platform Load Cell



The Series 251 and 252 Miniature Platform Load Cells are low profile, single point OEM sensors offering high accuracy. Only 0.71" high, they are ideal for medical instruments, low profile scales and other low profile, high resolution applications. A 3,000 ohm thin film strain gauge bridge provides extremely low power consumption for battery and current loop applications. Capacities range from 200g to 10kg-force full scale (0.4 to 22lb-force). These two load cells are the same except the S252 has holes on it's face and on it's end and the S251 has holes on it's end only.

Product Specifications:

Rated Output (R.O.):	2.0 mV / V nominal
Excitation:	5-20 V ac or dc
Overload Limit:	150% Full Scale Capacity
Ultimate Overload:	400% Full Scale Capacity
Bridge Configuration:	Full Bridge, 4 Wire Closed
Bridge Resistance:	3,000 Ω +/-2%
Insulation Resistance:	>1,000 Meg Ω 50 Vdc
Nonlinearity:	<0.04% R.O
Repeatability:	<0.02% R.O.
Hysteresis:	<0.02% R.O.
Creep (30 mins):	<0.05% R.O.
Temp. Effect on Zero Balance	Standard: <0.03% R.O./°C (<0.017% R.O./°F)
	Optional: <0.004% R.O./°C (<0.0022% R.O./°F)
Temp. Effect on Span	Standard: <0.025% Reading/°C
	Optional: <0.002% Reading/°C
Lead Options:	Contact

Features:

- Low Profile
- Low Power Consumption
- Low Hysteresis
- Long Term Stability
- Economical

Applications:

- Medical Instruments
- Postal Scales
- Counting Scales
- Check Weighing
- Medical Scales

Part Name

Part Name		Rated Capacity	Deflection at Full Scale Load
S251	S252		
SMD2387-XX-002	SMD2576-XX-002	0.40 lb [0.20 kg]	0.008
SMD2387-XX-006	SMD2576-XX-006	1.3 lb [0.60 kg]	0.009
SMD2387-XX-010	SMD2576-XX-010	2.2 lb [1.0 kg]	0.007
SMD2387-XX-020	SMD2576-XX-020	4.5 lb [2.0 kg]	0.007
SMD2387-XX-030	-	6.6 lb [3.0 kg]	0.005
SMD2387-XX-050	SMD2576-XX-050	11 lb [5.0 kg]	0.006
SMD2387-XX-100	SMD2576-XX-100	22 lb [10.0 kg]	0.005

Wiring Options

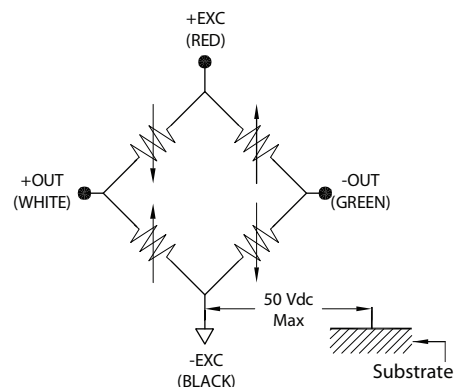
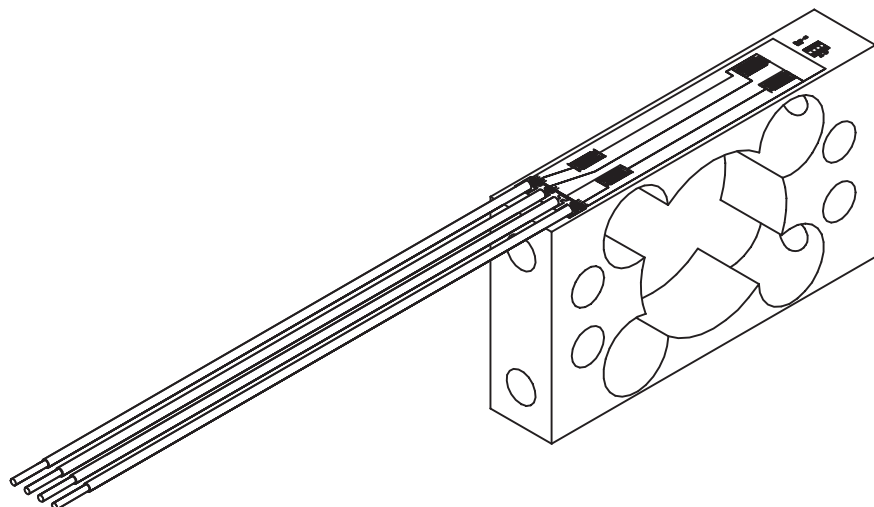
1	4 Wire 28 AWG PVC (11.5 IN LG)
2	Cable, \varnothing 0.13 OD, Shielded (35 IN LG)
3	Coiled Cable, BRIM 170/4-1
4	Teflon Wires / PTFE 32 AWG
5	Custom Cable / Wire Option

PART NUMBER EXAMPLE:

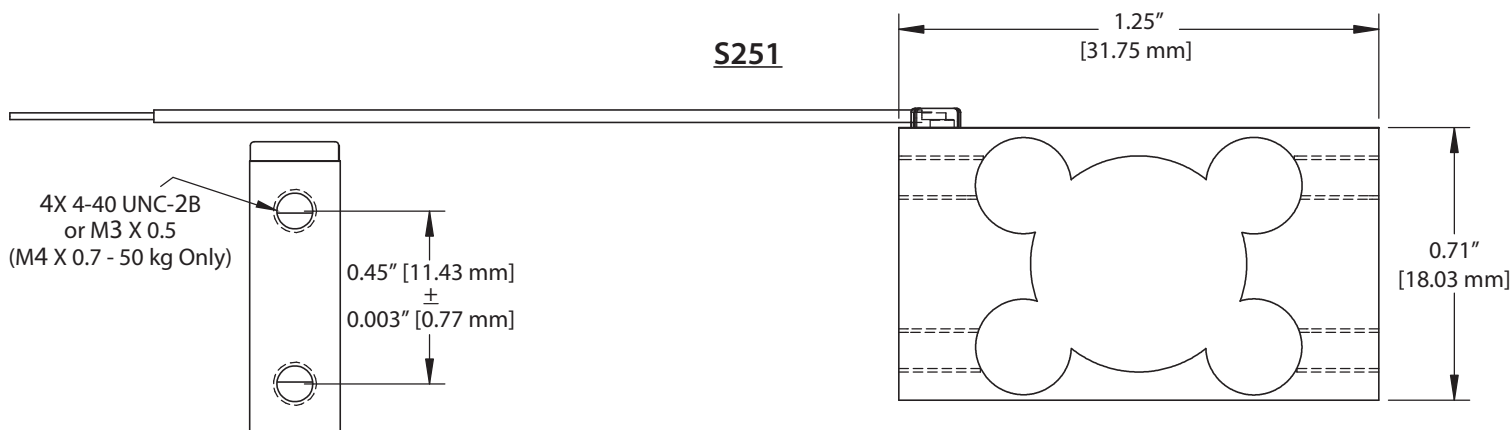
SMD2387-M2-030

BASE NUMBER | RANGE
 0 = STANDARD THREAD | WIRING OPTIONS
 M = METRIC THREAD

EXAMPLE PN IS A STAINLESS STEEL S251 SENSOR WITH METRIC THREADS, SHIELDED CABLE, AND A 3 kg RANGE.



S251



S252

