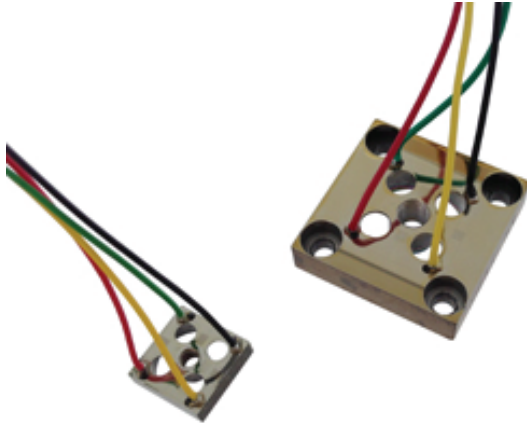


S410 & S415 Miniature Low-Profile Button Load Cell



The Series 410 and 415 Miniature Low Profile Button Load Cells use high technology sputtered thin film strain gauge technology to create a compact sensor with exceptional long-term stability. They are ideal for the measurement of tensile or compressive forces in applications where space is at a premium. Long-term stability, simple center-loading configuration and low combined errors make the S410 & S415 an excellent choice for applications where reliable and stable long-term performance is required. Custom characteristics can be provided for high volume OEM users.

Product Specifications:	
Ranges:	0.50, 0.90, 2.5, 5.0, 10.0 kg
Maximum Load (Safe):	175% FSO
Maximum Load (Ultimate):	400% FSO
Bridge Configuration:	4-wire Full Bridge
Bridge Resistance:	10,000 Ω
Recommended Excitation Voltage:	10 V dc/ac (20 V max)
Insulation Resistance:	1000 M Ω @ 50 V dc
Full Scale Output (FSO):	1 mV/V Nominal
Zero Balance:	± 0.3 mV/V
Repeatability:	$\pm 0.025\%$ FSO
Linearity:	$\pm 0.02\%$ FSO
Hysteresis:	$\pm 0.06\%$ FSO
Creep/Creep Recovery (20 mins):	$\pm 0.07\%$ FSO
Temperature Effect on Zero:	$\pm 0.03\%$ FSO/ $^{\circ}$ C
Temperature Effect on Span:	$\pm 0.025 \pm 0.01\%$ Reading/ $^{\circ}$ C
Operating Temperature:	-40 to 85 $^{\circ}$ C
Body Material:	Stainless Steel

Features:

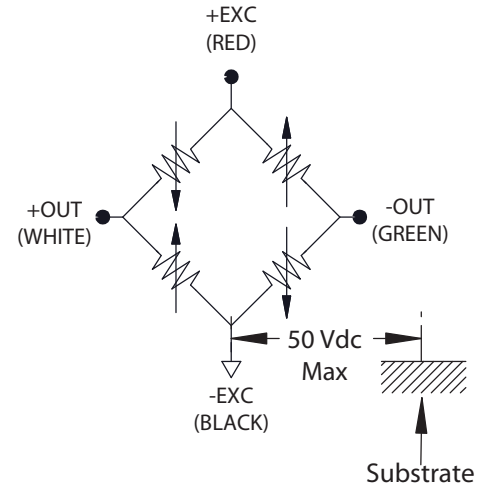
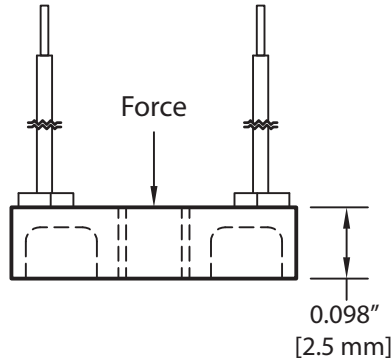
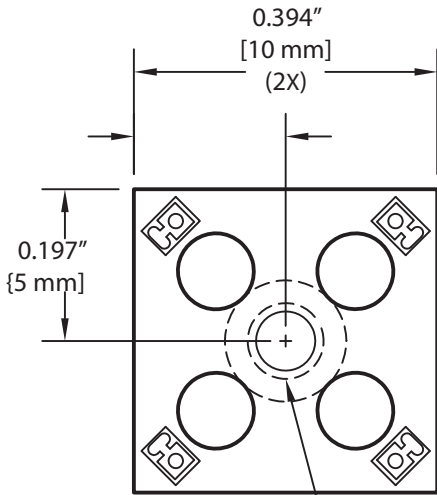
- Compact Design
- High Stability
- Ideally Suited for OEM
- Low Power Consumption
- Simple Mounting Geometry

Applications:

- Welding Systems
- Medical Instrumentation
- Packaging Test Systems
- Battery Powered Equipment
- Robotics
- Machine-Tool Sensing



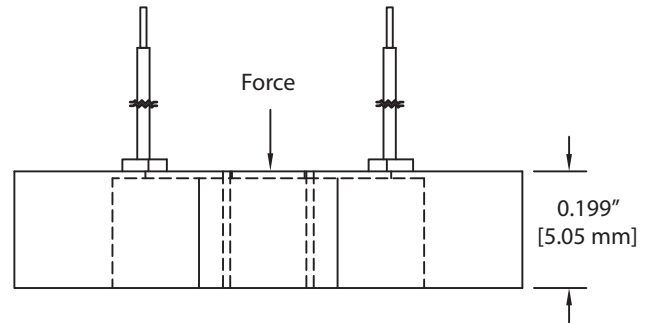
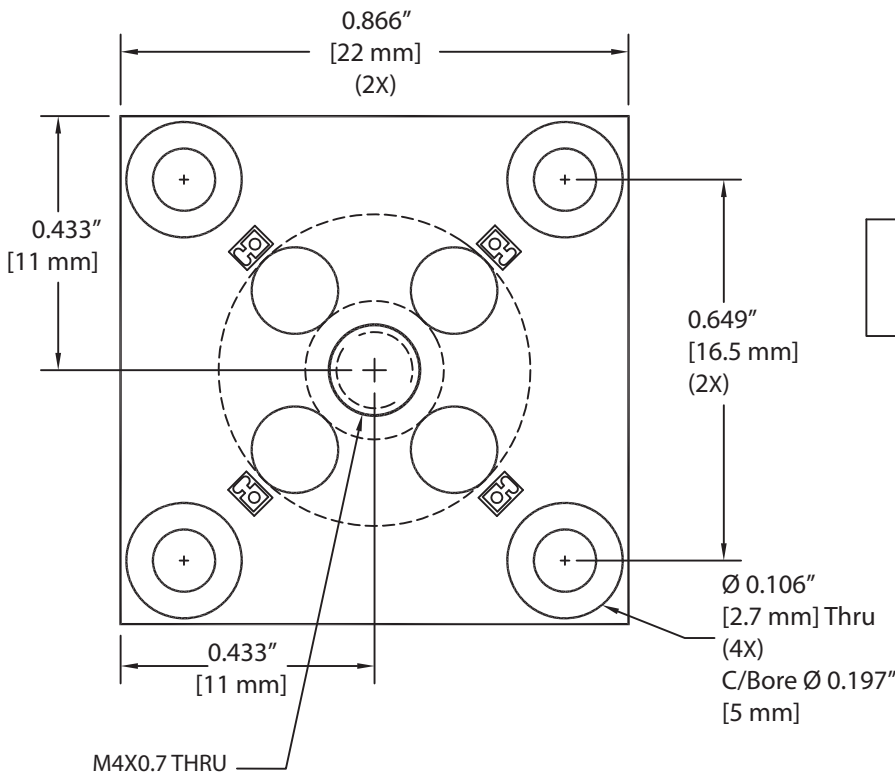
S410



S410 Part Name	Rated Capacity
SMD3323-0005	1.1 lb [0.50 kg]
SMD3323-0009	2.0 lb [0.90 kg]

"M2.5x0.45 THRU

S415



S415 Part Name	Rated Capacity
SMD4654-0025	5.51 lb [2.50 kg]
SMD4654-005	11.02 lb [5.0 kg]
SMD4654-010	22 lb [10 kg]

Ø 0.106" [2.7 mm] Thru (4X)
C/Bore Ø 0.197" [5 mm]

M4X0.7 THRU