

UNLESS OTHERWISE SPECIFIED:
 X/X = 1/64"
 X = ±.030"
 .XX = ±.010"
 Xmm = ±0.5mm
 X.XXmm = ±0.3mm
 X.XXXmm = ±0.15mm

STRAIN MEASUREMENT DEVICES

USA
 55 Barnes Park North
 Wallingford, CT 06492

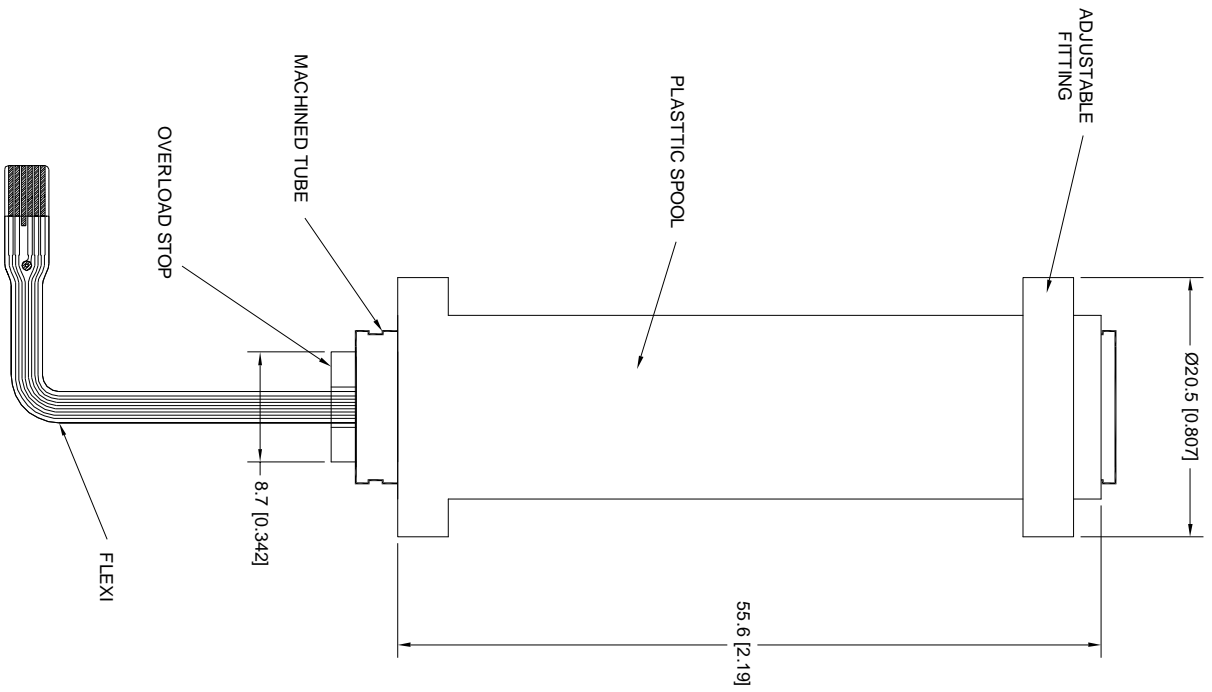
Europe
 Bury Road, Chedburgh,
 Bury St Edmunds IP29 4UQ
 England

Tel: (203) 294-5800
 Fax: (203) 265-0544
 askus@smdsensors.com

Tel: +44 (0) 1284 852 000
 Fax: +44 (0) 1284 852 371
 sales@smdsensors.co.uk

TITLE: S901 OUTLINE DRAWING

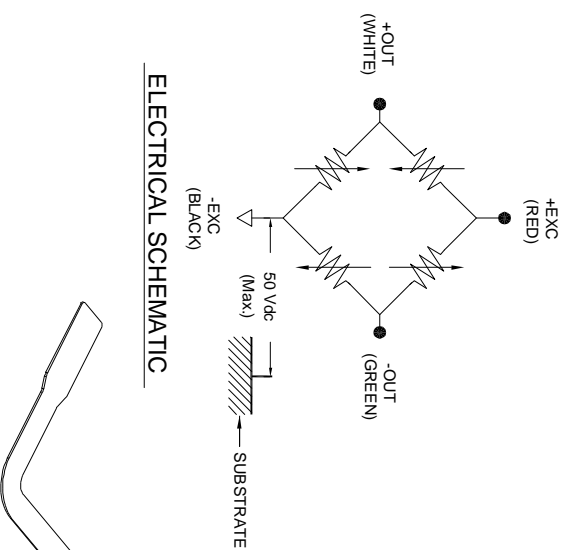
DWG No. **SMD4598** DATE: 07/28/08 SCALE: NONE DIM: mm [INCHES]



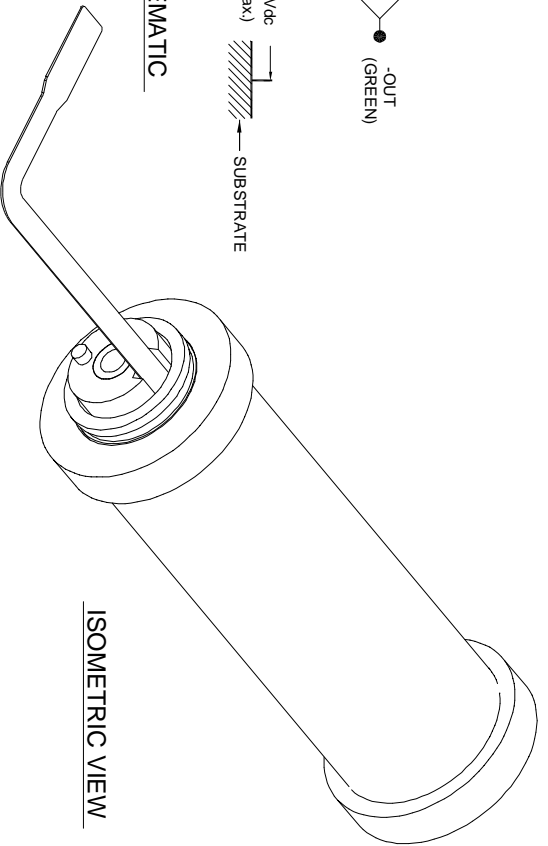
RANGE (kg)	ITEM NUMBER
0.5	SMD4598-0005
1	SMD4598-001

CAPACITIES:
 MAXIMUM LOAD (SAFE): 0.5, 1kg
 MAXIMUM LOAD (ULTIMATE): 150% FSO
 BRIDGE CONFIGURATION: 300% FSO
 BRIDGE RESISTANCE: 4 WIRE CLOSED BRIDGE
 EXCITATION VOLTAGE (RECOMMENDED): 10,000 Ω
 INSULATION RESISTANCE: 10 Vdc
 FULL SCALE OUTPUT (FSO): >1000 mΩ @ 50 Vdc
 ZERO BALANCE: 2.0 mV/V NOMINAL
 LONG TERM STABILITY: ±0.3% mV/V
 NONLINEARITY: <0.1± R.O./YEAR
 HYSTERESIS: <0.15± R.O.
 CREEP/CREEP RECOVERY (20 MIN.): <0.015± R.O.
 TEMPERATURE EFFECT ON ZERO: <0.02± R.O.
 TEMPERATURE EFFECT ON SPAN: <0.03± R.O./°C
 OPERATING TEMPERATURE: <0.03 % READING/°C
 ELECTRICAL TERMINATION: -40/+120°C
 FLEXI WITH ZIF CONNECTOR

SPECIFICATIONS



ELECTRICAL SCHEMATIC



ISOMETRIC VIEW