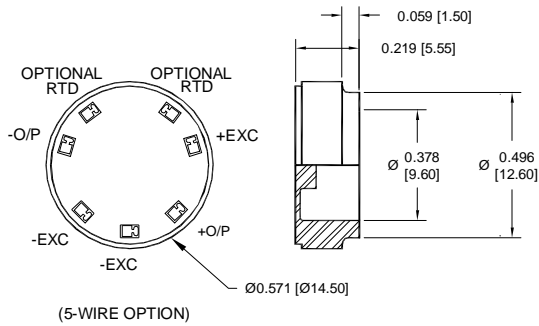
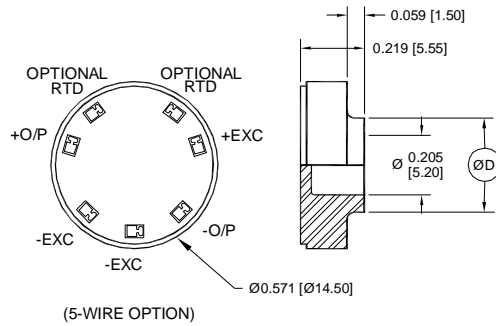


100 THRU 500 psi
[7 THRU 35 bar]

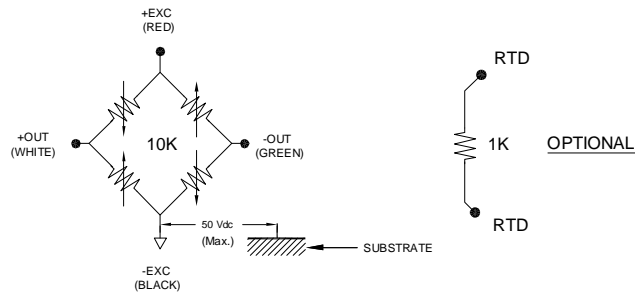


1,000 THRU 15,000 psi
[70 THRU 1035 bar]

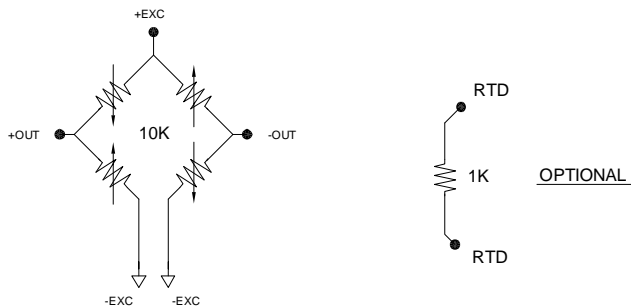


PRESSURE RANGE (psi)	ØD
1,000 TO 10,000	0.323 [8.20]
12,000 AND 15,000	0.362 [9.19]

FOUR WIRE OPTION



FIVE WIRE OPTION



ELECTRICAL SCHEMATIC

www.smdsensors.com

SPECIFICATIONS:

BRIDGE RESISTANCE:	10,000Ω
BRIDGE CONFIGURATION:	4- WIRE CLOSED BRIDGE (5-WIRE OPTIONAL)
OUTPUT:	2mV/V NOMINAL
ZERO OFFSET:	±0.2 mV/V
EXCITATION RECOMMENDED:	UP TO 20 Vdc
RANGES:	
- LOW RANGE CONFIGURATION:	100, 160, 500psi
- HIGH RANGE CONFIGURATION:	1000, 1500, 3000, 4000, 5000, 6000, 10k, 12k, AND 15k
OPERATING TEMP. RANGE:	-40°C TO 150°C (200°C OPTIMAL)
CALIBRATED TEMP. RANGE:	-40°C TO 125°C
WETTED MATERIAL:	STAINLESS STEEL 15-5 PH (HASTELLOY OPTIONAL)
INSULATION RESISTANCE:	
- OPTION S:	>1000MΩ @ 50 Vdc
- OPTION C:	500 Vac FOR ONE MINUTE
TEMP. EFFECT ON ZERO BALANCE:	
- OPTION 1:	±0.03% FSO/°C
- OPTION 2:	±0.015% FSO/°C (TIGHTER TOLERANCES AVAILABLE)
TEMP. EFFECT ON SPAN:	
- OPTION A:	+0.04% READING/°C
- OPTION B:	±0.01% READING/°C
REPEATABILITY:	<0.02% FSO
LONG TERM STABILITY:	
- OPTION X:	<0.8% FSO PER YEAR
- OPTION Y:	<0.09% FSO PER YEAR (OFFSET SPEC ±0.4 mV/V)
PROOF PRESSURE:	2X
BURST PRESSURE:	6X UP TO 500psi; 5X UP TO 6000psi; 4X UP TO 15k psi
LINEARITY:	
	100psi: <0.5% (0.25% BFSL)
	160psi: <0.3% (0.15% BFSL)
	500 - 1000psi: <0.15% (0.08% BFSL)
	1500 - 3000psi: <0.1% (0.05% BFSL)
	4000 - 15,000psi: <0.05% (0.025% BFSL)
OPTIONAL RTD SENSOR:	Ni RTD, 1000Ω NOMINAL
ELECTRICAL:	HYBRID BOARDS WITH SOLDERABLE PADS



STRAIN MEASUREMENT DEVICES

USA
 55 Barnes Park North
 Wallingford, CT 06492

Europe
 Bury Road, Chedburgh,
 Bury St Edmunds IP29 4UQ
 England

Tel: (203) 294-5800
 Fax: (203) 265-0544
 askus@smdsensors.com

Tel: +44 (0) 1284 852 000
 Fax: +44 (0) 1284 852 371
 sales@smdsensors.co.uk

UNLESS OTHERWISE SPECIFIED:

X/X = 1/64" .XXX = ±.005"
 .X = ±.030" .XXXX = ±.001"
 .XX = ±.010" ANGLES = ±2°

.Xmm = ±0.5mm
 X.XXmm = ±0.3mm
 X.XXXmm = ±0.15mm ANGLES = ±2°

TITLE:	P571 OUTLINE DRAWING			REV:	3
DWG No.	SMD2495	DATE:	12/10/00	SCALE:	NONE
				DIM:	INCHES [mm]