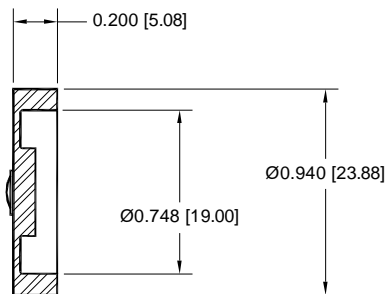
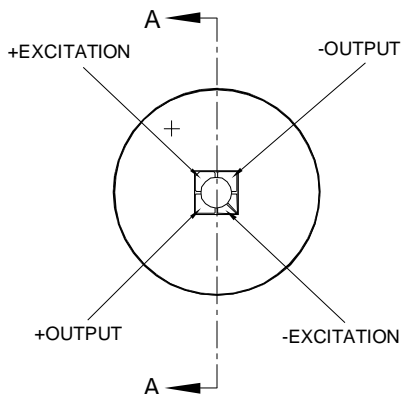


ISOMETRIC VIEWS

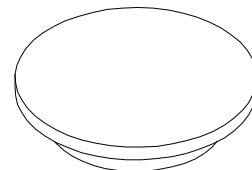
50 TO 500 PSI RANGES



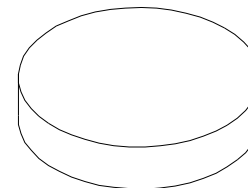
SECTION A-A



1000 TO 6000 PSI RANGES



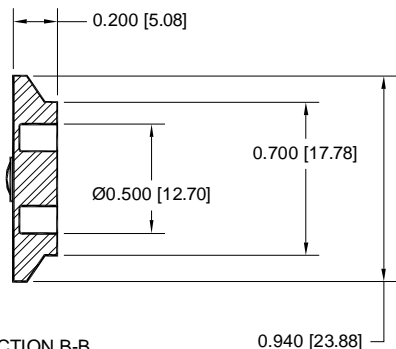
50 TO 500 PSI RANGES



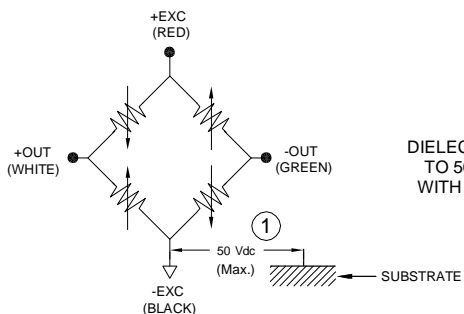
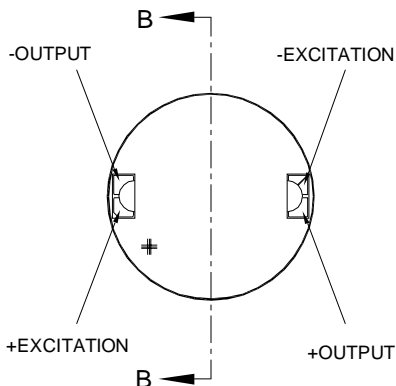
SPECIFICATIONS:

OUTPUT (mV/V):	2
EXCITATION (V ac OR dc):	5 - 20
BRIDGE CONFIGURATION:	
- STANDARD:	FULL BRIDGE, 4 WIRE CLOSED
- OPTIONAL:	FULL BRIDGE, 5 WIRE OPEN
BRIDGE RESISTANCE (Ω):	10,000 \pm 2%
INSULATION RESISTANCE:	
- STANDARD:	1,000 M Ω @50 Vdc
- OPTIONAL:	>500 Vac RMS BREAKDOWN
OVER PRESSURE LIMIT, PROOF:	150% OF RANGE
OVER PRESSURE LIMIT, BURST:	400% OF RANGE
REPEATABILITY (% OF SPAN):	<0.03
LONG TERM STABILITY (% OF SPAN):	
- STANDARD:	<0.8 PER YEAR
- OPTIONAL:	<0.06 PER YEAR
TEMP. EFFECT ON ZERO BALANCE:	
- STANDARD:	<0.03% SPAN/ $^{\circ}$ C (<0.017%/ $^{\circ}$ F)
- OPTIONAL:	<0.01% SPAN/ $^{\circ}$ C (<0.006%/ $^{\circ}$ F)
TEMP. EFFECT ON SPAN:	
- STANDARD:	0.025% READING/ $^{\circ}$ C (0.014%/ $^{\circ}$ F)
- OPTIONAL:	0.002% READING/ $^{\circ}$ C (0.0014%/ $^{\circ}$ F)
OPERATING TEMP. RANGE:	
- STANDARD:	-40 $^{\circ}$ C (-40 $^{\circ}$ F) TO 150 $^{\circ}$ C (302 $^{\circ}$ F)
- OPTIONAL:	-40 $^{\circ}$ C (-40 $^{\circ}$ F) TO 200 $^{\circ}$ C (392 $^{\circ}$ F)
- OPTIONAL II:	CONSULT FACTORY FOR HIGHER TEMPS.
CALIBRATED TEMP. RANGE:	-20 $^{\circ}$ C (-4 $^{\circ}$ F) TO 125 $^{\circ}$ C (302 $^{\circ}$ F)
ELECTRICAL TERMINATION:	GOLD SOLDER PADS ON CERAMIC SUBSTRATE
WETTED MATERIALS:	
- SENSOR:	15-5PH VAC CE STAINLESS STEEL COND. H900
- SENSOR OPTIONAL:	HASTELLOY
- FITTING:	15-5PH STAINLESS STEEL COND. A

1000 TO 6000 PSI RANGES



SECTION B-B



ELECTRICAL SCHEMATIC

www.smdsensors.com



UNLESS OTHERWISE SPECIFIED:

X/X = 1/64"	.XXX = \pm 0.005"
.X = \pm 0.030"	.XXXX = \pm 0.001"
.XX = \pm 0.010"	ANGLES = \pm 2 $^{\circ}$
.Xmm = \pm 0.5mm	
X.XXmm = \pm 0.3mm	
X.XXXmm = \pm 0.15mm	ANGLES = \pm 2 $^{\circ}$

STRAIN MEASUREMENT DEVICES

USA

55 Barnes Park North
Wallingford, CT 06492

Tel: (203) 294-5800
Fax: (203) 265-0544
askus@smdsensors.com

Europe

Bury Road, Chedburgh,
Bury St Edmunds IP29 4UQ
England

Tel: +44 (0) 1284 852 000
Fax: +44 (0) 1284 852 371
sales@smdsensors.co.uk

TITLE: P940 OUTLINE DRAWING			REV: 2
DWG No. SMD2206	DATE: 10/11/00	SCALE: NONE	DIM: INCHES [mr]