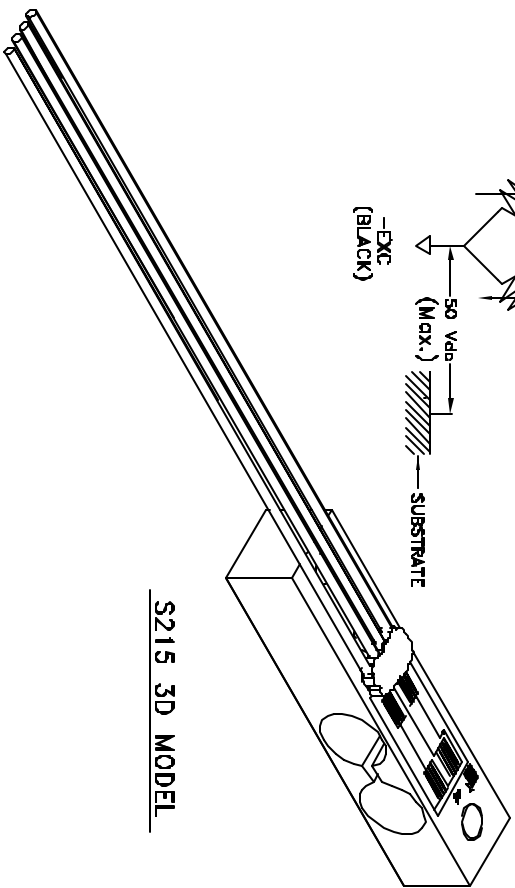
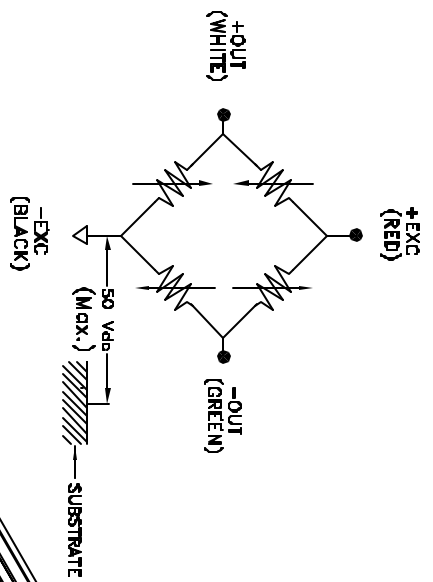
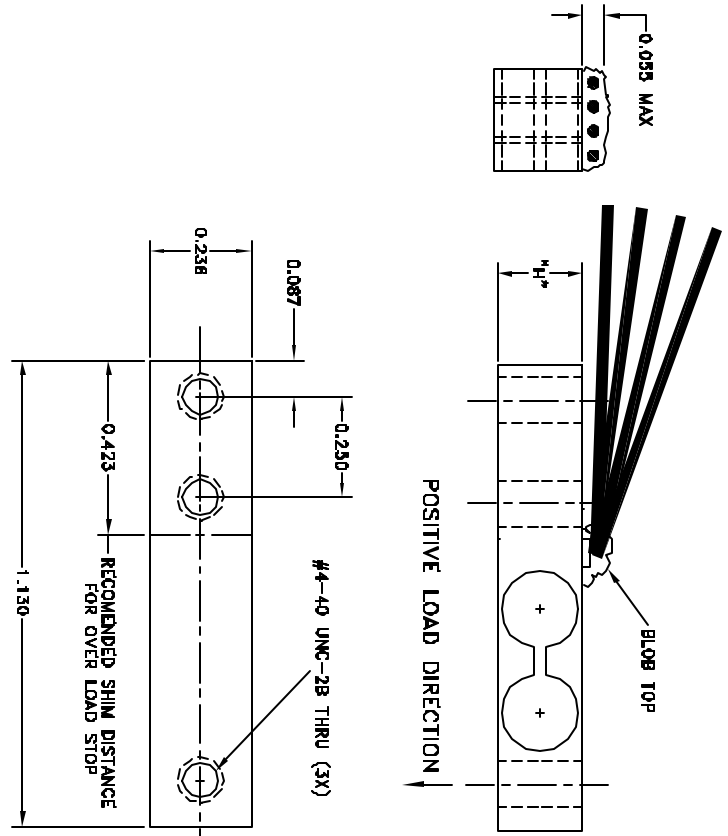


REV	DATE	BY
1	28 SEP 00	JMG
2	19 SEP 02	JMG
3	15 FEB 05	JMG
4	17 FEB 05	JMG
5	21 MAR 05	JMG
6	20 APR 05	JMG



SPECIFICATIONS:

- CAPACITIES: 2, 4, AND 12 1uF (900g, 1.8kg, 5.5kg)
- RATED OUTPUT: 2mV/V NOMINAL
- ZERO OFFSET: ±0.5mV/V (OPTIONAL ±% RO)
- OVERLOAD, SAFE: 200% RO
- EXCITATION RECOMMENDED: UP TO 20Vdc
- BRIDGE RESISTANCE: 10,000 Ω ± 3%
- BRIDGE CONFIGURATION: 4-WIRE CLOSED BRIDGE
- INSULATION RESISTANCE: >1000 MΩ@50Vdc
- OPERATING TEMP. RANGE: -40°C TO +150°C (200°C OPTIONAL)
- CALIBRATED TEMP. RANGE: -40°C TO 125°C
- TEMP. EFFECT ON ZERO BALANCE: ±0.03%/°C (±0.017%/°F)
- TEMP. EFFECT ON SPAN: ±0.03% READING/°C (0.017%/°F)
- LONG TERM STABILITY: <0.1% RO PER YEAR
- NONLINEARITY: ±0.03% RO
- HYSTERESIS: ±0.03% RO
- NONREPEATABILITY: <0.01% RO
- CREEP, IN 20 MINUTES: ±0.02% RO
- CLEARANCE FOR WIRES AND STRAIN RELIEF: 0.055" MAX ABOVE TOP OF LOAD CELL
- ELECTRICAL TERMINATION: 32AWG TETRA WIRE, 2.5" LONG
- DEFLECTION: .004" ALL RANGES



RANGE (lb)	ITEM NUMBER	"H"	MATERIAL
2	2551-002	0.208	17-4PH
4	2551-004	0.217	17-4PH
12	2551-012	0.239	17-4PH

UNLESS OTHERWISE SPECIFIED:
 BREAK SHARP EDGES .003-.015
 SURFACES TO BE SQUARE &/OR PARALLEL W/IN .005
 X/X = 1/64" XXX = ±.005"
 X = ±.030" .XXX = ±.001"
 .XX = ±.010" ANGLES = ±2°
 BREAK SHARP EDGES .08-1/4
 SURFACES TO BE SQUARE &/OR PARALLEL W/IN .127
 Xmm = ±0.3mm
 XXXmm = ±0.15mm ANGLES = ±2°

SMD

STRAIN MEASUREMENT DEVICES INC.
 130 RESEARCH PARKWAY, MERIDEN, CT 06450
 TELEPHONE: (203)235-9330 FAX: (203)235-3470

TITLE: S215 OUTLINE DRAWING

DATE: 09/28/00	SCALE: NONE	DRAWN: JMG	CHECKED BY: DES
DWG No. SMD2551	PAGE 2 OF 2	USED ON:	APPROV BY: